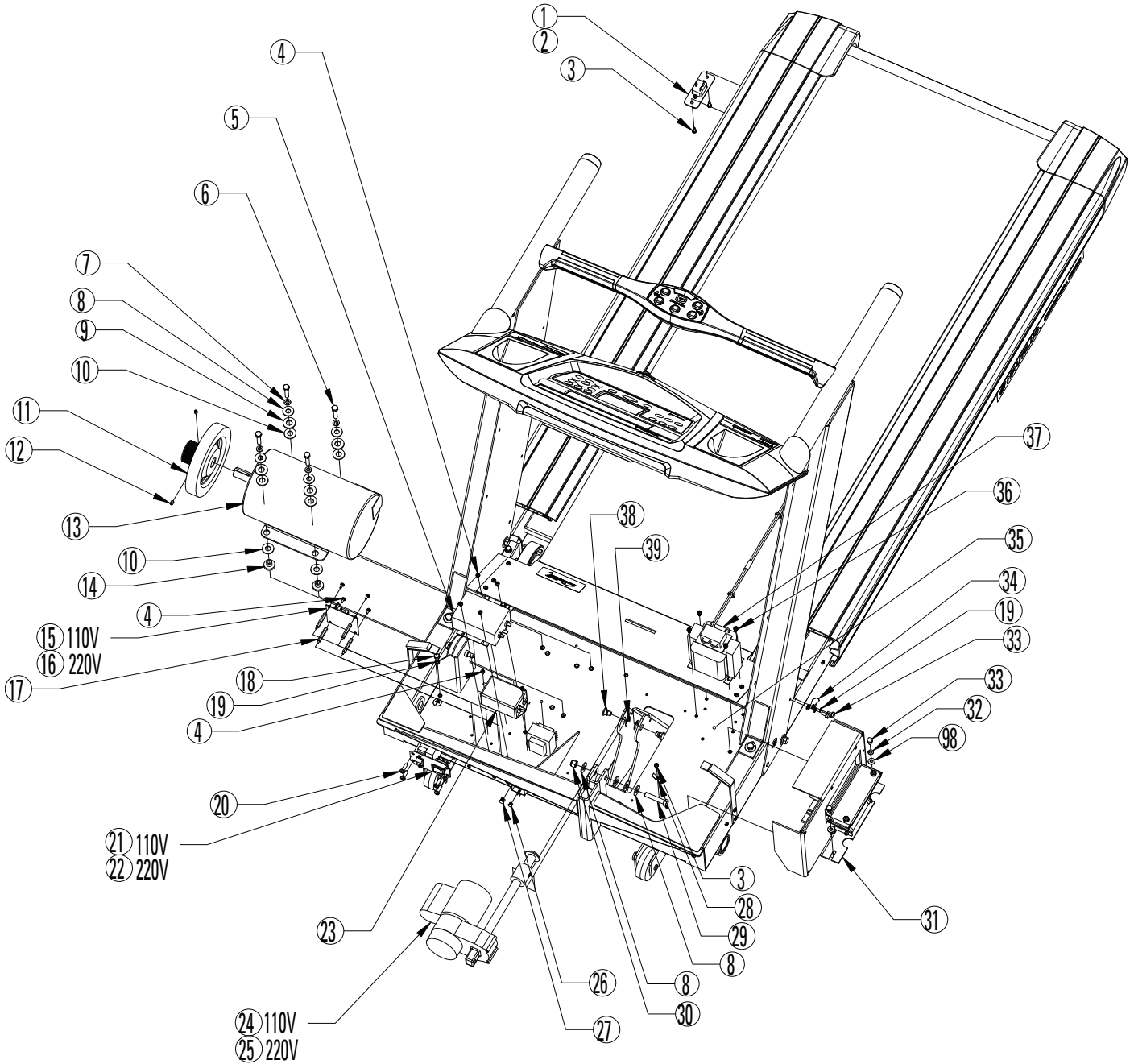
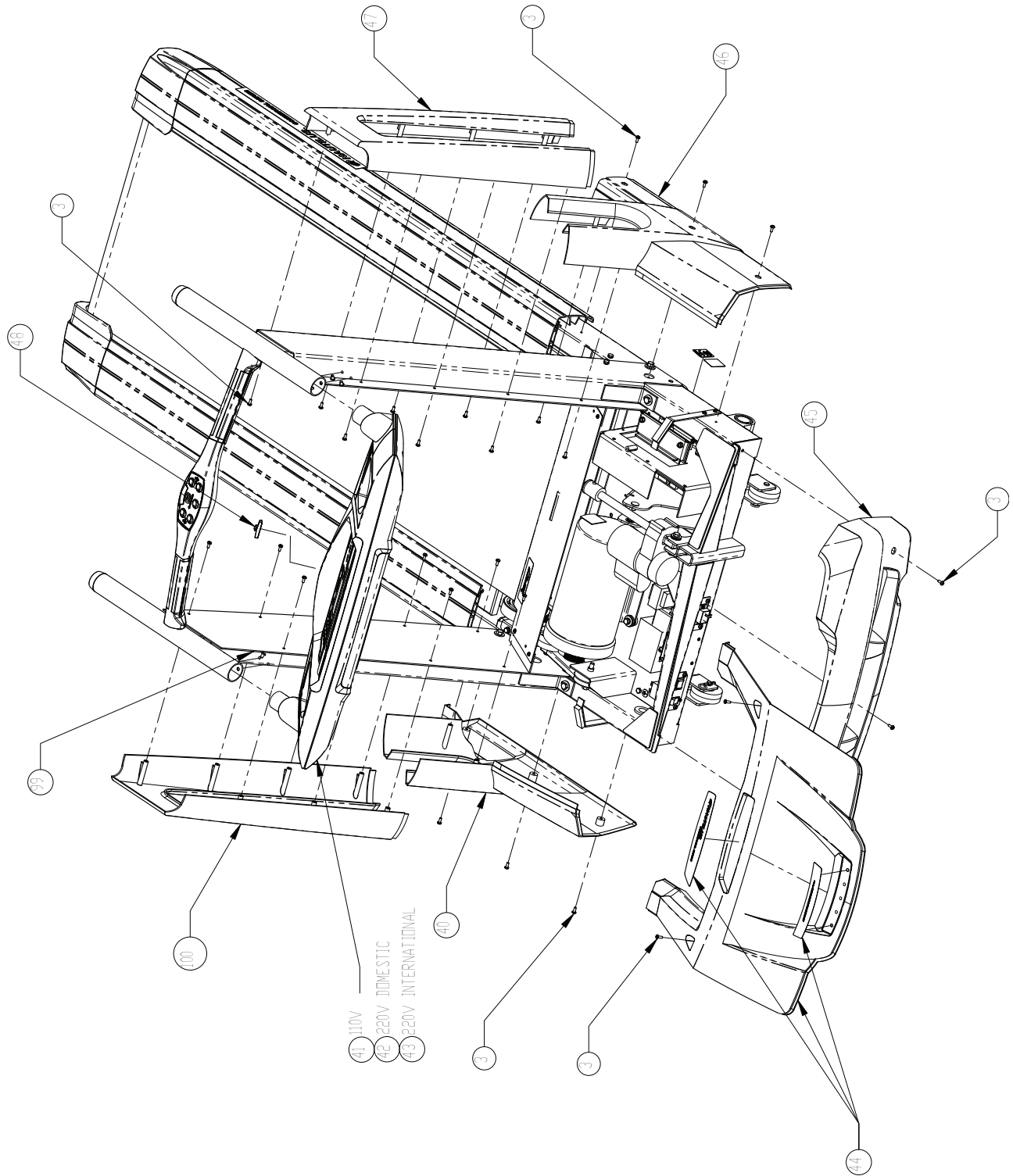


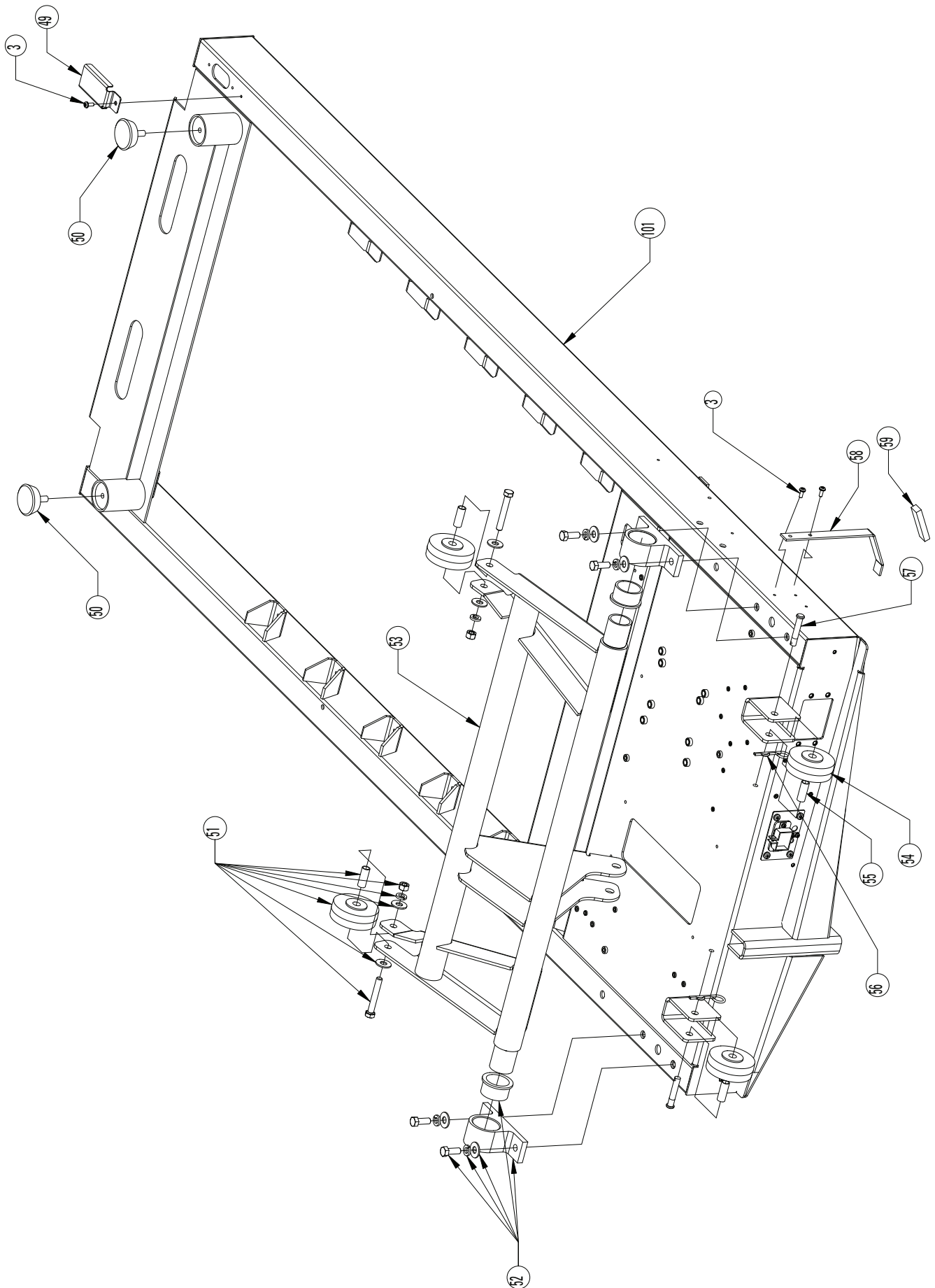
Nautilus T 914 Treadmill



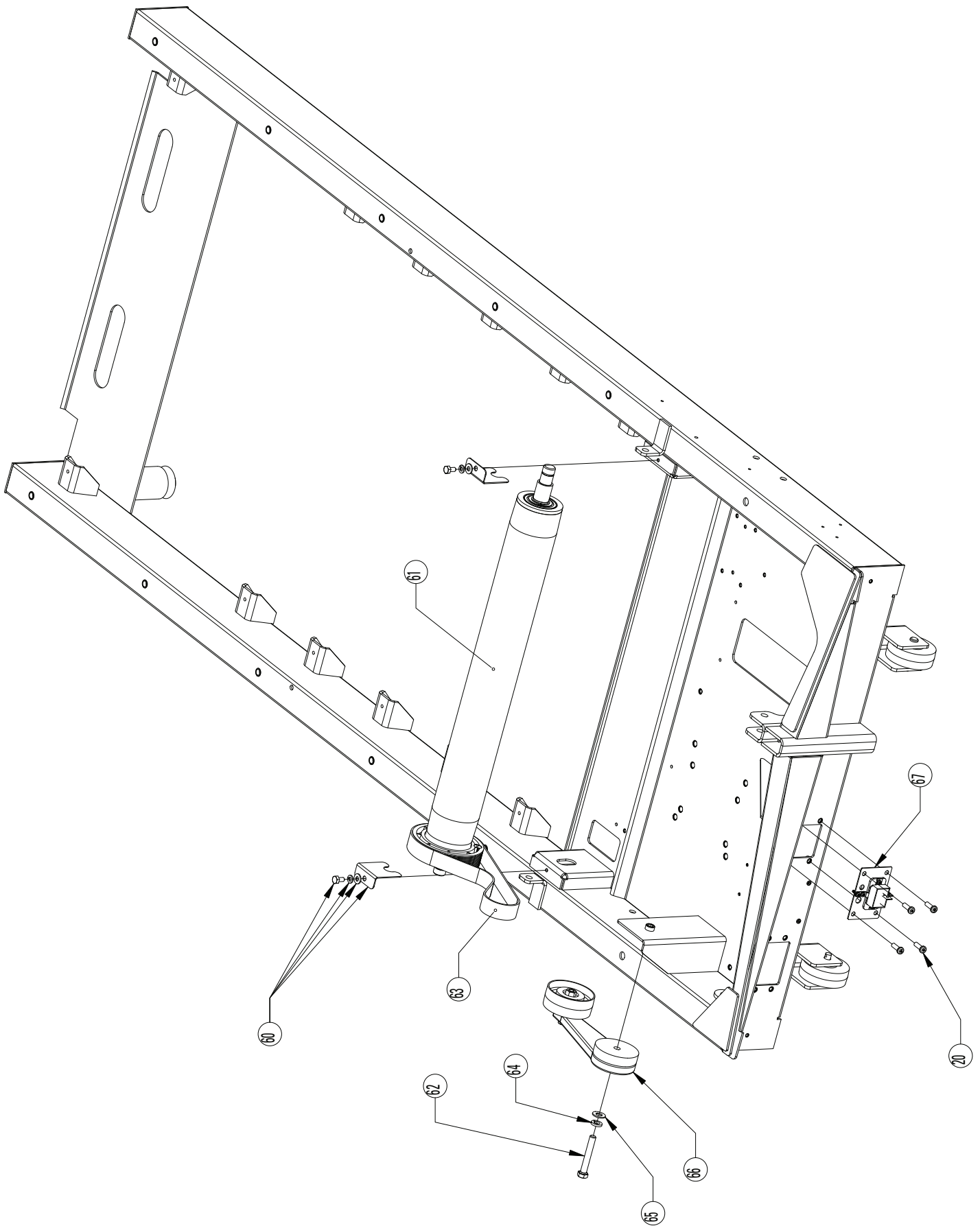
Nautilus T 914 Treadmill



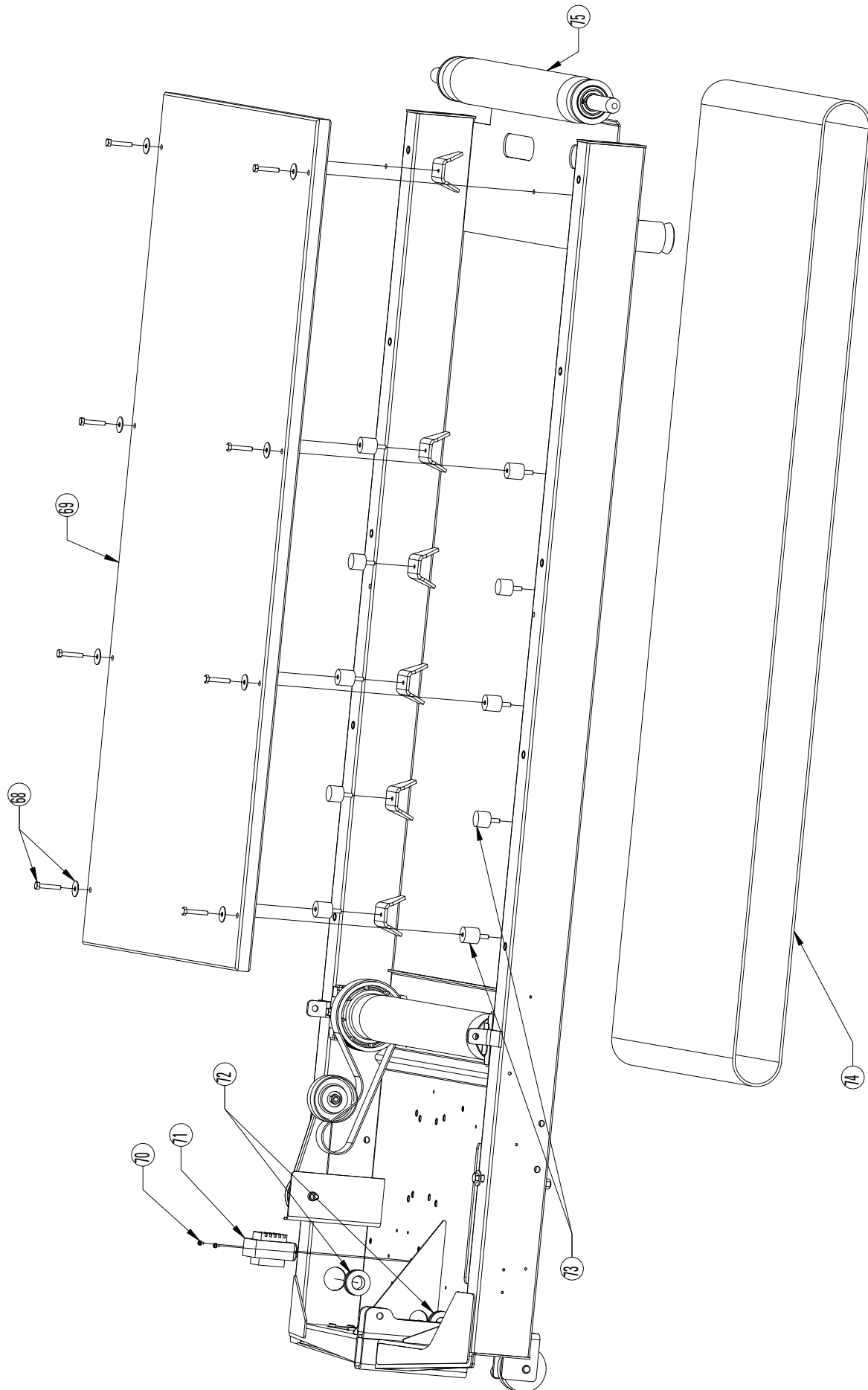
Nautilus T 914 Treadmill



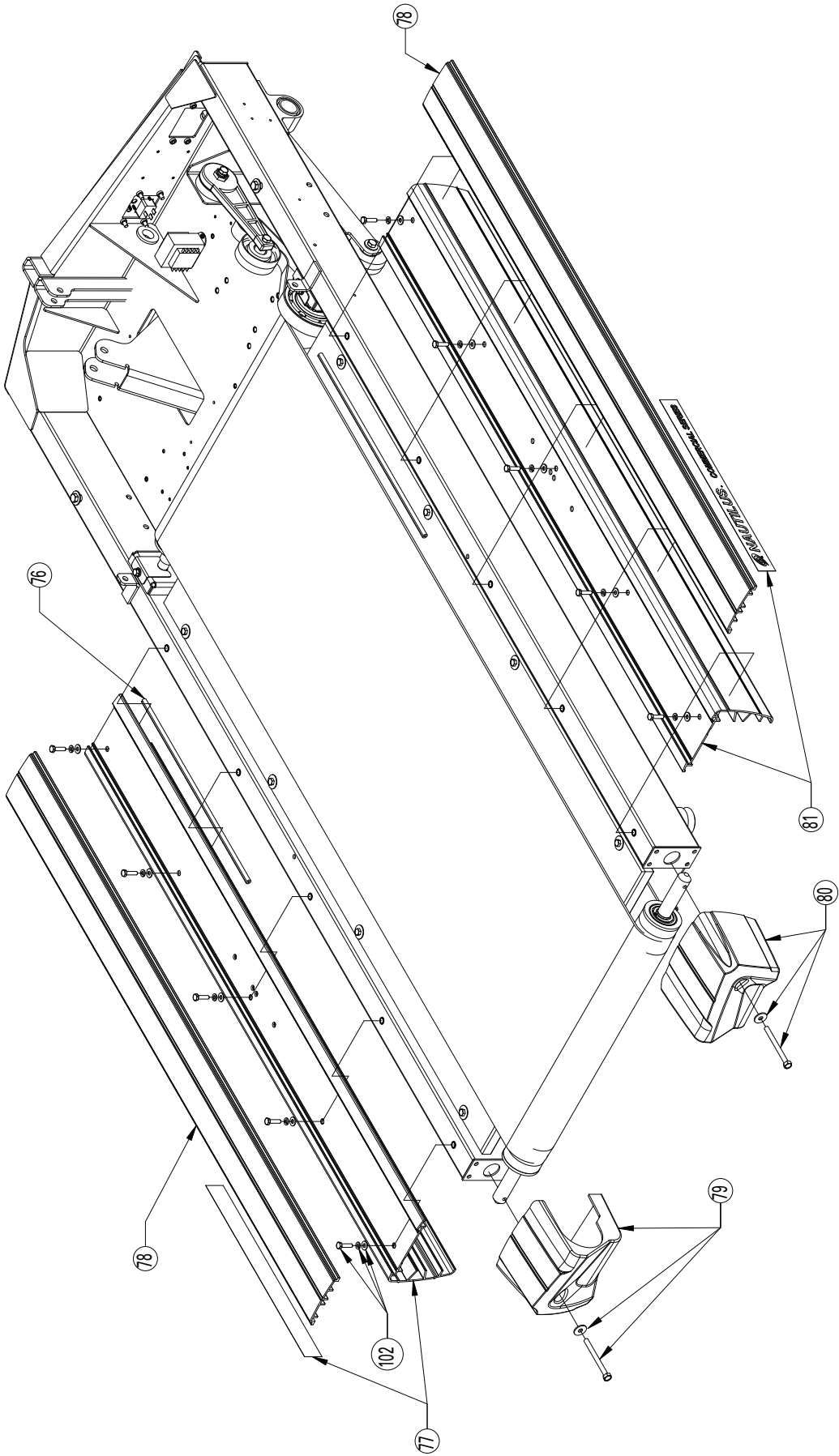
Nautilus T 914 Treadmill



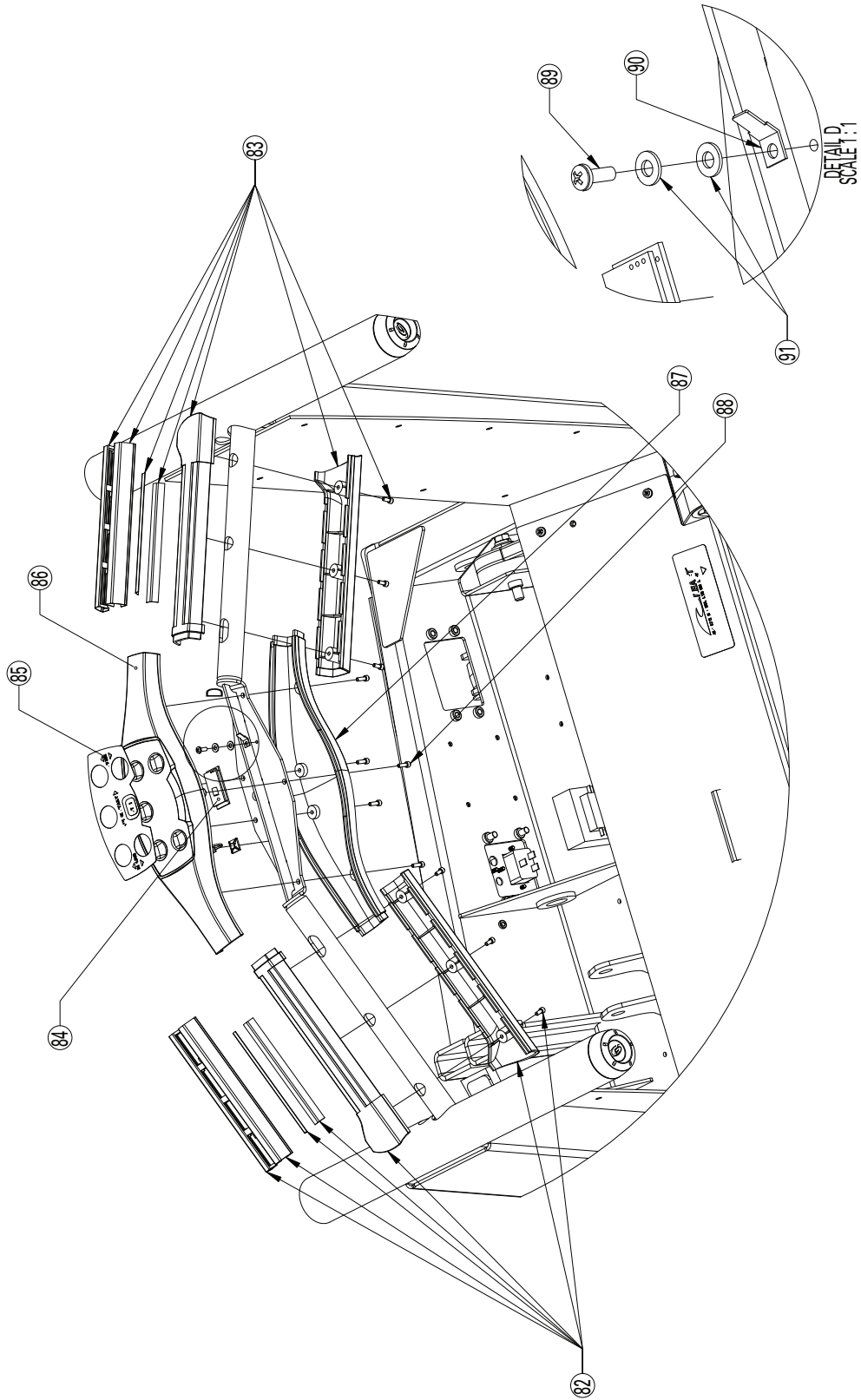
Nautilus T 914 Treadmill



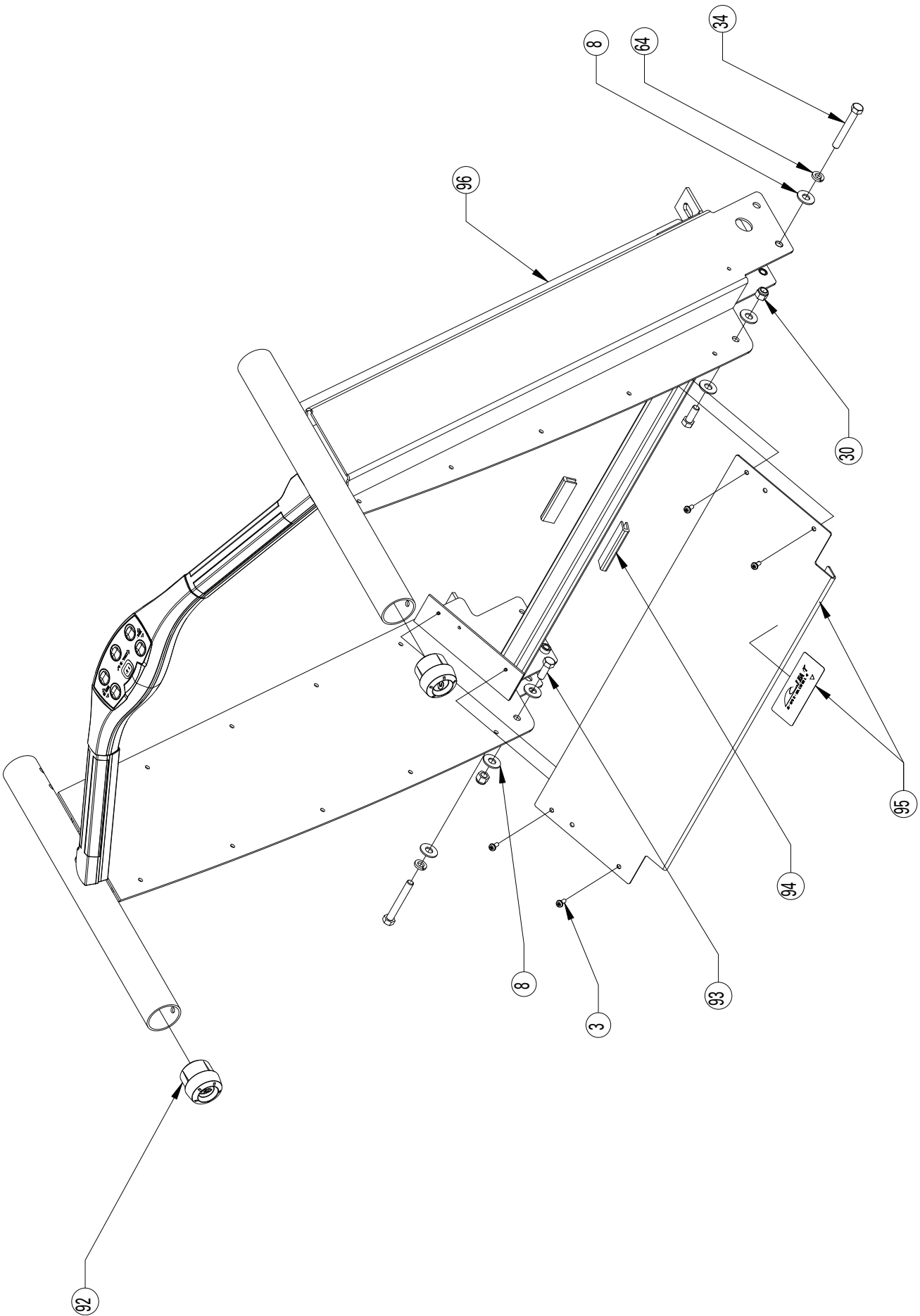
Nautilus T 914 Treadmill



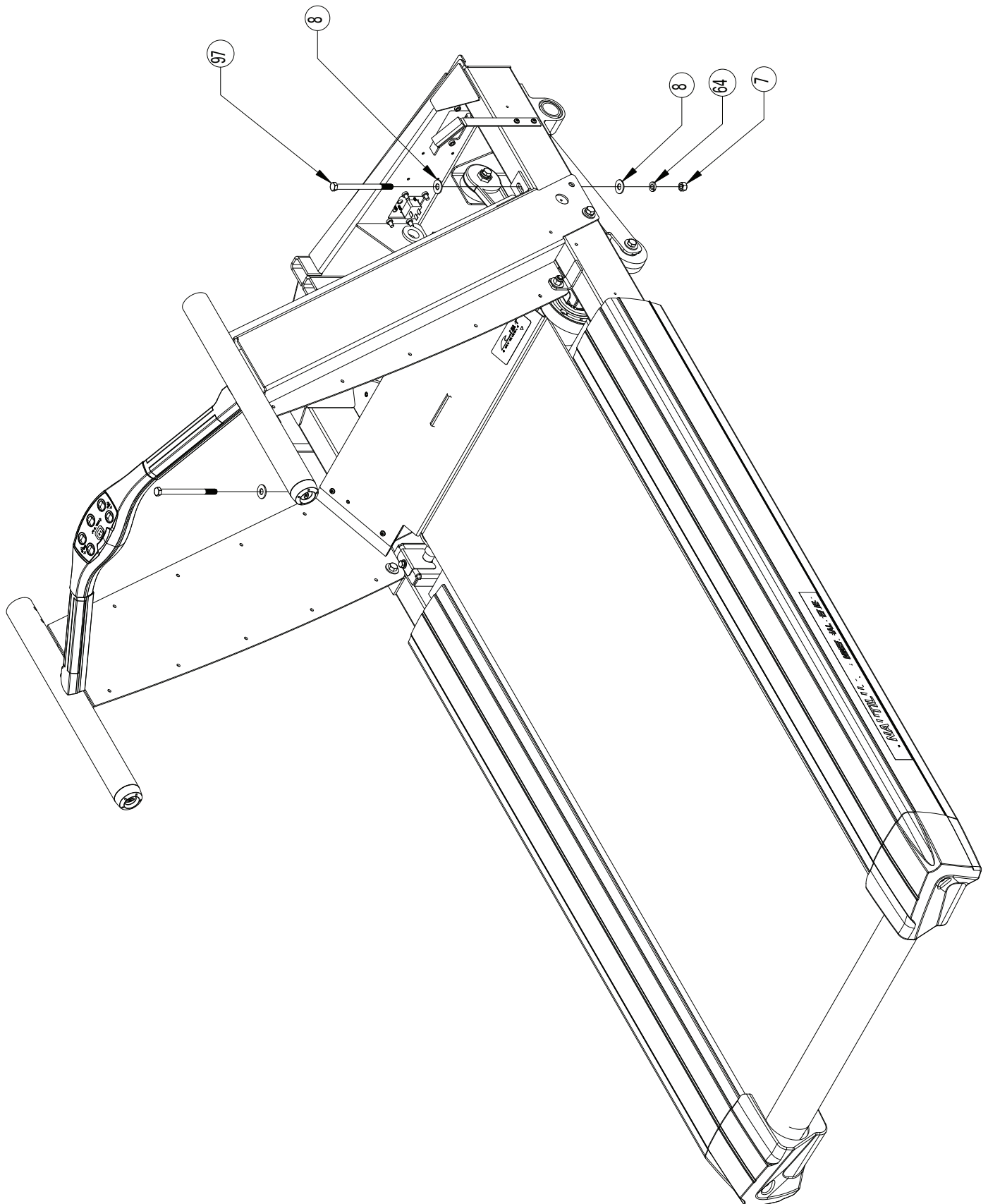
Nautilus T 914 Treadmill



Nautilus T 914 Treadmill



Nautilus T 914 Treadmill



Nautilus T 914 Treadmill

REF #	DESCRIPTION	PART #	REF #	DESCRIPTION	PART #
1	ASSY,PWR INLET REAR,C19,240V,	SM41476	49	BRACKET,POWER INLET COVER	SM41262
2	ASSY,CABLE,REAR POWER	SM41190	50	LEVELING PAD, NTR	SM41232
3	SCREW,#10-32 X .50,PAN HD, W/L	SM41271	51	KIT,WHEEL ASSY,SV	SM26402
4	SCREW,6-32X.38,PAN HD W/LKWASH	SM40456	52	KIT,BEARING ASSY,IGUS,SV	SM26403
5	FILTER,NOISE,RFI,250V	SM27403	53	KIT,GRADE WELDMENT ASSY,SV	SM26401
6	SCREW, .312-18X1.50, HEX HD CP	SM41060	54	510/612 POLYOLEFIN WHEEL	SM27551
7	WASHER,.312 SPIT LOCK	SM22070	55	BUSHING,SPANNER,NTR	SM41129-05
8	WASHER, 3/8 USS FLAT	SM22030	56	PIN,HITCH	SM21774
9	SPACER,NYLON,.125X.500X1.120,	SM27586	57	PIN,CLEVIS, 3/8" DIA. X 2" LG	SM41259
10	WASHER,NEOPRENE, .490X1.063X.09	SM27562	58	BRACKET,COVER SUPPORT	SM41261
11	FLYWHEEL, CAST,NTR 6000/7000	SM41059	59	FOAM,PAD	SM36271-001
12	SCREW,SET,SOCKET, .250-28 X .38	SM22878	60	KIT,BRACKET,FRONT ROLLER,SV	SM26406
13	DRIVE MOTOR,AC VARIABLE	SM27487	61	ASSEMBLY,DRIVE ROLLER	SM41009
14	WASHER,SHOULDER,ISOLATION	SM27441	62	SCREW,.375-16X2.50,HEX HD CAP	SM22016
15	PCBA, CONFIG PLATE 510/612	SM35774-002	63	POLY-V DRIVE BELT, 280J10	SMQ32387-001
16	PCBA,TM VOLT CONFIG 230V 15%	SMQ36498-002	64	WASHER, 3/8 SPLIT LOCK	SM23729
17	STANDOFF,1/4 HX,MALE-FEMALE,#6	SM41585	65	WASHER,.406 X .812 X .065,FLAT	SM27585
18	SCREW,.250-20X.50,HEX HD CAP	SM22101	67	ASSY,POWER INPUT,T914/T916,120	SM41583
19	WASHER,LOCK,.250 EXTERNAL TOOT	SM41260	68	KIT,DECK HARDWARE,SV	SM26405
20	SCREW,1/4-20X.75,PAN HD,W/LOCK	SM40670	69	BED, SLIDER, NTR, 60"	SM41056
21	ASSY,SWITCH PLATE,T9.14-T9.16	SM41581	70	SCREW,M3 X 6,SEM,PHP,EXT STAR	SM27310
22	ASSY,SWITCH PLATE,T914/916,220	SM41608	71	TRANSFORMER,CLASS 2,40VA	SM27964
23	FILTER,NOISE,RFI	SM27317	72	GROMMET, 2870, 7/8" ID	SM41269
24	KIT,ELEVATION MOTOR,SV	SM26418	73	KIT,COMPRESSION MOUNT SET,SV	SM26404
25	ACTUATOR,LINEAR,230V,NTR TM	SM41289	74	BELT,WALKING,60"	SM41696
26	PLUG,HOLE,.312,FINISHING,BLK,L	SM41615	75	ASSY, REAR ROLLER, V2	SM41472
27	PLUG,HOLE,.375,FINISHING,BLK,L	SM41616	76	EDGE TRIM, RUBBER	SM22074
28	TERMINAL,1/4" QD X #10 STUD	SM41454	77	KIT,SIDERAIL,T914,LH	SM41206-1
29	SCREW,.375-16x2.00,HEX HD CAP	SM22258	78	EXTRUS,RUBBR,SIDE RAIL TOP,60"	SM41208
30	NUT,.375-16,NYLON INSERT	SM22029	79	KIT,ENDCAP,SIDERAIL,LEFT	SM41475-00
31	ASSEMBLY, VSD, T9.14, T9.16	SM41463	80	KIT,ENDCAP,SIDERAIL,RIGHT	SM41474-00
32	WASHER,.250 SPLIT LOCK	SM22027	81	KIT,SIDERAIL,T914,RH	SM41206-2
33	SCREW,.250 X .50,SELF TAPPING	SM22139	82	KIT,CONTACT PLATE,L,NTR	SM26419
34	ASSY,HARNESS, GROUNDING	SM41415	83	KIT,CONTACT PLATE,R,NTR	SM26420
35	GUIDE WIRE .500	SM27583	84	HR DETECTION MODULE	SM41180
36	SCREW,SEMS,10/32 X .375	SM30579-016	85 & 86	KIT, HOUSING, ERGO W/DECAL	SM26421
37	ASSY,CHOKE,6MH,INTERNATIONAL,	SM41404	87	HOUSING,ERGO,BOTTOM CENTER	SM41112
38	PIVOT SHAFT,ELEVATION NUT	SM41124	88	SCREW,6-32 X .438 LG SHC	SM40639
39	E-RING, EXTERNAL RETAINING	SM41141	89	SCREW, SELF TAPPING, #6x3/8	SM27764
40	COVER,MOTOR,LOWER RIGHT	SM41108	90	FAST TAB, .250	SM27000
41	ASSEMBLY,CONSOLE,T9.14	SM41321	91	WASHER,FLAT,ZINC,METRIC	SM35920-004
42	ASSY,CONSOLE,T9.14,TV OPTION	SM41628	92	END CAP,HANDLE BAR,MOLDED	SM41158
43	ASSY,CONSOLE,T9.14,INTERNATION	SM41613	93	SCREW,.375-16x1.00,HEX HD CAP	SM22246
44	KIT,COVER,MOTOR,MAIN,T914/T916	SM41080	94	EDGE TRIM, RUBBER, 3/4 X 15/32	SM22076
45	COVER,MOTOR,FRONT	SM41513	95	KIT,KICK PLATE,SV	SM26427
46	COVER,MOTOR,LOWER LEFT	SM41099	96	WELDMENT,UPRIGHT,NTR4000/5000	SM41132
47	KIT,COVER,UPRIGHT,TOP	SM26424	97	SCREW,3/8-16 X 5, HH, G2	SM41532
48	ASSY, MAGNETIC SWITCH	SM41154			

Nautilus T 914 Treadmill

REF #	DESCRIPTION	PART #	REF #	DESCRIPTION	PART #
98	WASHER,FLAT,1/4 ID X 5/8 OD	SM22047			
99	SCREW,1/4-20X3/8",BUTTON HD SO	SM24162			
100	KIT,COVER,UPRIGHT,TOP,R,SV	SM26423			
101	WELDMENT,FRAME,60" DECK	SM41002			
102	KIT,HARDWARE,EXTRUSION SET,SV	SM26408			
	KIT,HARDWARE,T7/T9 SERIES	SM41315			
	EXTENSION,HARNESS,MOTOR/THERMO	SM17550			
	CORDSET,PWR,ANGLE,8',STRAIGHT,	SM17566			
	CONNECTOR,RF,3mm,F	SM17787			
	TYRAP, 1/8 X 4	SM20473			
	TYRAP,ADHESIVE MOUNT	SM21566			
	KIT,HARDWARE,KICK PLATE,SV	SM26428			
	KIT,CONNECTOR,LOCK,T914/T916	SM27306			
	CIRCUIT BREAKER,ME 220V	SM27308			
	CIRCUIT BREAKER,ME	SM27319			
	ASSY,HARNESS,TRANSFORMER OUTPT	SM27356			
	ROTARY TENSIONER	SM27552			
	WASHER,M8,FLAT,FENDER	SM27564			
	WASHER,M8,SPLIT LOCK	SM27592			
	ASSY., CABLE, LOWER C50 TM COM	SM27951			
	ASSY., CABLE, Upper C50 TM COM	SM27952			
	ASSY, TRANSFORMER, 2100 TRDMLL	SM27962			
	HARNESS ASSY, AC	SM35982-002			
	KIT, PCBA, DISPLAY, T914	SM40824-1			
	PCB ASSY, C51 LCD DISPLAY	SM40826			
	HOUSING,CONSOLE REAR	SM41086			
	HOUSING, CONSOLE FRONT	SM41101			
	HSING,CONSOLE BEZEL,NTR5000/60	SM41146			
	LENS,CONSOLE,NTR5000/6000	SM41147			
	CABLE ASSY,CONTACT HR PADS	SM41169			
	CABLE ASSY,ROC KEYS CONSOLE	SM41173			
	ASSY,CABLE,ROC KEYS	SM41193			
	KEYPAD, CONSOLE, T9.14	SM41280			
	MANUAL,CD,T9 SERIES	SM41281			
	INSTRUCTIONS,ASSY,T9 SERIES TM	SM41282			
	CORDSET,PWR,ANGLE,C19LA 5-20P	SM41319			
	CABLE,ASSY,T9,HR,PROCESS SIDE	SM41442			
	CABLE,ASSY,T9,HR,MODULE SIDE	SM41443			
	ASSY,KIT,HANDRAIL,T9/T7,60"	SM41478-60			
	KIT,T7/T9,COMPRESSION MT/DECK	SM41593			
	KIT,T914,MOUNTS,BOLTS,60" BELT	SM41594			
	ASY,RETRO KIT,HANDRAIL,T914,60	SM41605			
	KIT,HARDWARE,T7/T9,UPRIGHT,SV	SM42600			